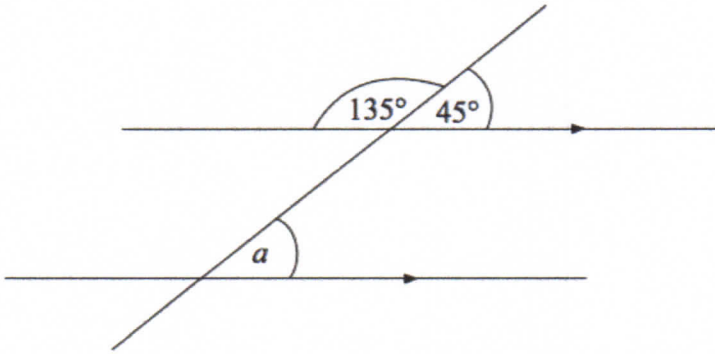


# Geometry - Parallel Lines

Q1

Diagram NOT  
accurately drawn



(i) Write down the size of the angle marked  $a$ .

.....<sup>o</sup>

(ii) Give a reason for your answer.

.....

(Total 2 marks)

Q2

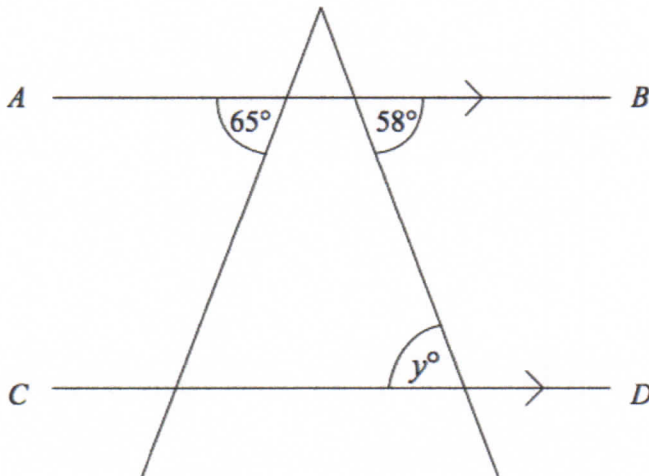


Diagram NOT  
accurately drawn

$AB$  is parallel to  $CD$ .

(i) Write down the value of  $y$ .

.....

(ii) Give a reason for your answer.

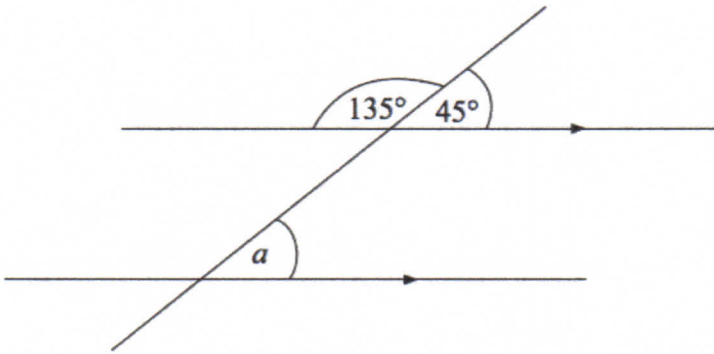
.....

(Total 2 marks)

# Geometry - Parallel Lines

Q1

Diagram NOT  
accurately drawn



(i) Write down the size of the angle marked  $a$ .

45 °

(ii) Give a reason for your answer.

Corresponding angles are equal

(Total 2 marks)

Q2

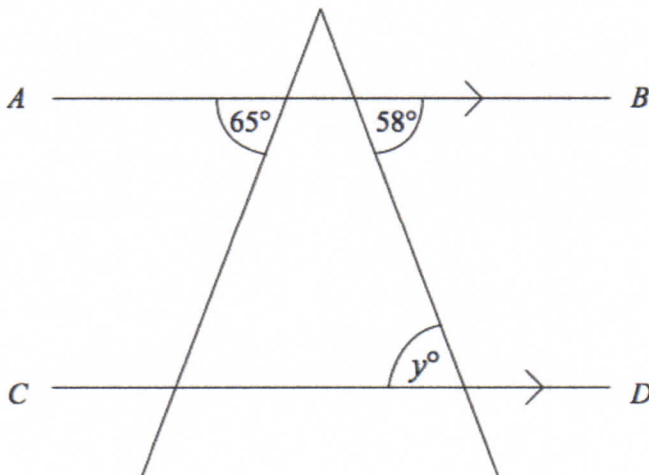


Diagram NOT  
accurately drawn

$AB$  is parallel to  $CD$ .

(i) Write down the value of  $y$ .

58 °

(ii) Give a reason for your answer.

alternate angles are equal

(Total 2 marks)